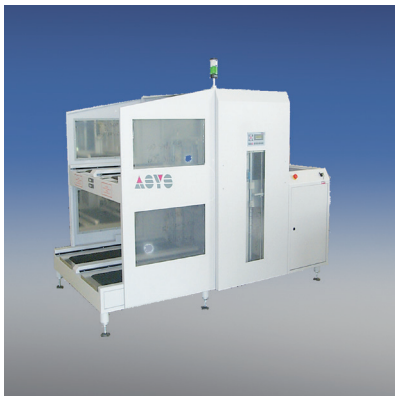


VEGO AES 07



Description

The unit consists of two loading and two unloading conveyors for magazines, two independent lifting axles with magazine platforms, a transfer conveyor with shuttle mechanism to the following unit and an electrically driven pusher. The unloading conveyors are situated parallel to each other on the lower level and the loading conveyors are situated directly above.

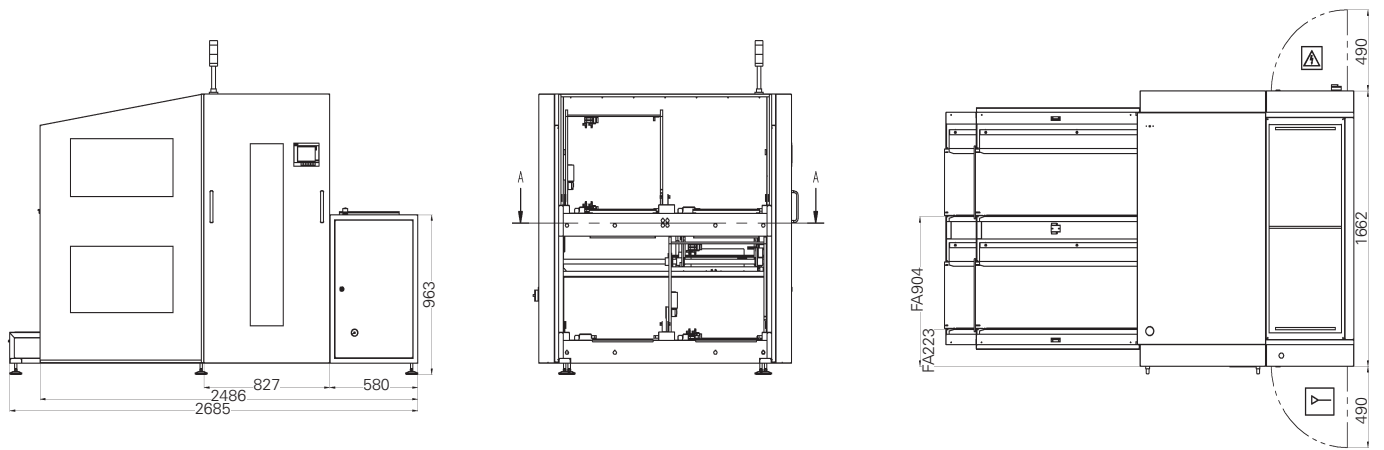
The Magazines are transported over the loading conveyor and clamped in place. The pusher then slides the PCB's into the magazine. The empty magazine is then transported over the lower (unloading) conveyor and stored until manually removal.

Features

- _ Automatic magazine change with magazine clamps at the top and the bottom
- _ Loading conveyors situated parallel to each other on the upper level, unloading conveyors situated directly below
- _ Minimal floor space required through optimal positioning of the transport conveyors
- _ Double track loading using a shuttle mechanism
- _ Combination possibilities with double shuttle mechanisms and fixed transfer conveyor
- _ Cycle time < 10 sec

Options

- _ Transport height 950 mm \pm 50 mm
- _ Automatic width adjustment
- _ Duallane version
- _ Electrical width adjustment



VEGO AES 07

Machine Configuration

Transport height	850 mm ± 50 mm
Max. transport width	460 mm
Interface	SMEMA, Siemens
Transfer direction	from left to right
Operating side	Front of the machine
Fixed rail	Front of the machine

Magazine Size

Magazine length	535 mm
Magazine width	530 mm
Magazine height	568 mm
Slot spacing	5- 20 mm
Buffer spacing	1- 50 Slots
Magazine buffer input conveyor	2x2 (2x3) ^b
Magazine buffer output conveyor	2x2 (2x3) ^b

Panel Dimensions

Panel length	70 to 460 mm
Panel width	50 to 460 mm
Panel thickness	0.8 to 4.5 mm
Component clearance	± 40 mm
Panel weight	to 3 kg

Installation Requirements

Power supply	230 V / 115 V, 50 / 60 Hz, ± 10%
Power supply system	L1 + N + PE
Power consumption	0,75 kW
Air supply	6 bar
Air consumption	10 NI/min

Machine Description

Length x Width x Height ^{a)}	2685 x 1662 x 1692 mm
Netto weight	570 kg
Noise Level	< 75 dB

Upgrades

Machine networking via IC Net

a) other dimensions on request

b) depending on the magazin size

**ASYS
GROUP**

ASYS Automatisierungssysteme GmbH

Benzstrasse 10,
89160 Dornstadt, Germany
Tel (+49) 7348 9855 0
Fax (+49) 7348 9855 91
info@asys.de

For more information visit
www.asys-group.com

Subject to change without notice.

Some general descriptions and performance characteristics may not be applicable to all products. Technical specifications are subject to change without notice. Only features and technical data provided in purchasing contract are legally binding.

Printed in Germany