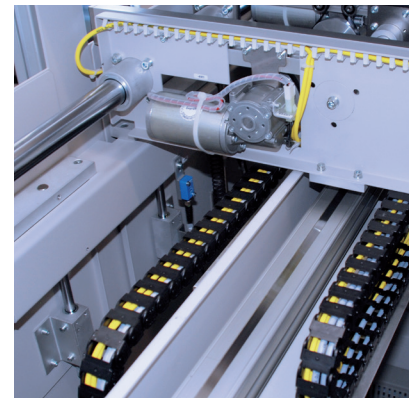
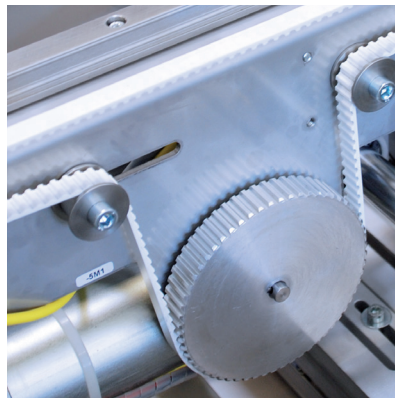


VEGO BLO 03



Description

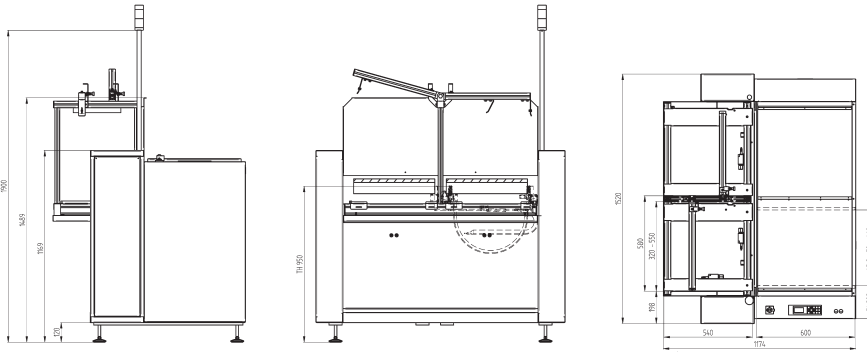
The Line Loader loads PCBs from magazines into the line. The magazine platform can accommodate up to two magazines and cycles into position. An electrical extractor pulls the PCBs from the magazines onto an integrated side shuttle. The side shuttle aligns the PCBs to the proper unloading position of the downstream unit. The powder coated steel frame ensures process stability and excellent durability.

Features

- _ Electrical extractor with adjustable force limiter
- _ Two point magazine clamping system
- _ LCD control panel
- _ single-color signal lamp and horn
- _ Anti-static conveyor belts
- _ SMEMA Interface

Options

- _ Transport height 850 mm \pm 50 mm
- _ Electrical width adjustment
- _ Automatic width adjustment



VEGO BLO 03

Machine Configuration

Transport height	950 mm ± 50 mm
Max. transport width	460 mm
Interface	SMEMA
Transfer direction	from left to right
Operating side	Front of the machine
Fixed rail	Front of the machine

Magazine Size

Magazine length	535 mm
Magazine width	530 mm
Magazine height	568 mm
Slot spacing	5- 20 mm
Buffer spacing	1- 50 Slots
Single Magazine weight max.	30 kg

Panel Dimensions

Panel length	70 to 460 mm
Panel width	50 to 460 mm
Panel thickness	0.8 to 4.5 mm
Component clearance	+25 / - 40 mm
Panel weight	to 3 kg

Installation Requirements

Power supply	230 V / 115 V, 50 / 60 Hz, ± 10%
Power supply system	L1 + N + PE
Power consumption	0,15 kW
Air supply	6 bar
Air consumption	12 NI/min

Machine Description

Length x Width x Height	1174 x 1520 x 1489 mm
Netto weight	355 kg
Noise Level	< 75 dB

Upgrades

Additional interface protocol
Automatic width adjustment
Machine networking via IC Net

**ASYS
GROUP**

ASYS Automatisierungssysteme GmbH
Benzstrasse 10,
89160 Dornstadt, Germany
Tel (+49) 7348 9855 0
Fax (+49) 7348 9855 91
info@asys.de

For more information visit
www.asys-group.com

Subject to change without notice.
Some general descriptions and performance characteristics may not be applicable to all products. Technical specifications are subject to change without notice. Only features and technical data provided in purchasing contract are legally binding.

Printed in Germany