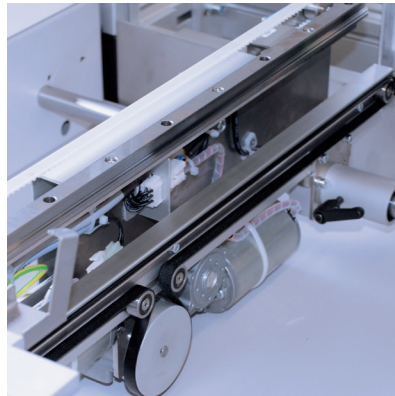


VEGO Series – A New Generation of Handling Modules

Line Unloader for one magazine

VEGO Compact

VEGO BUL 01



Description

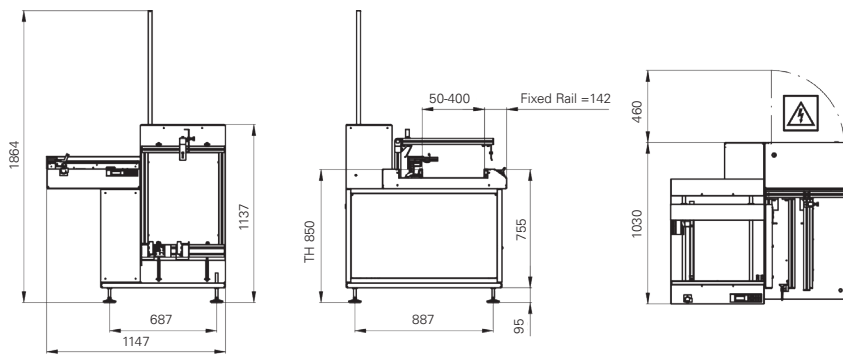
The Line Unloader receives PCBs from upstream and transfers them via an integrate conveyor segment and an electrical pusher arm into a magazine. Once a PCB is loaded in the magazine, the magazine platform will index to the next slot. A programmable pre-warning limit will alert an operator to change the magazine manually. The powder coated steel frame ensures process stability and excellent durability.

Features

- _ Electrical pusher with adjustable force limiter
- _ Two point magazine clamping system
- _ LCD control panel
- _ single-color signal lamp and horn
- _ Anti-static conveyor belts
- _ SMEMA Interface

Options

- _ Transport height 850 mm \pm 50 mm
- _ Electrical width adjustment
- _ Safety cover with lock
- _ Stopper cylinder
- _ Error loop



VEGO BUL 01

Machine Configuration

Transport height	950 mm ± 50 mm
Max. transport width	460 mm
Interface	SMEMA
Transfer direction	from left to right
Operating side	Front of the machine
Fixed rail	Front of the machine

Magazine Size

Magazine length	535 mm
Magazine width	530 mm
Magazine height	568 mm
Slot spacing	5- 20 mm
Buffer spacing	1- 50 Slots
Magazine weight max.	30 kg

Panel Dimensions

Panel length	70 to 460 mm
Panel width	50 to 460 mm
Panel thickness	0.8 to 4.5 mm
Component clearance	± 40 mm
Panel weight	to 3 kg

Installation Requirements

Power supply	230 V / 115 V, 50 / 60 Hz, ± 10%
Power supply system	L1 + N + PE
Power consumption	0,13 kW

Machine Description

Length x Width x Height	1146 x 1030 x 1137
Netto weight	230 kg
Noise Level	< 75 dB

Upgrades

Additional interface protocol
Automatic width adjustment
Machine networking via IC Net

**ASYS
GROUP**

ASYS Automatisierungssysteme GmbH
Benzstrasse 10,
89160 Dornstadt, Germany
Tel (+49) 7348 9855 0
Fax (+49) 7348 9855 91
info@asys.de

For more information visit
www.asys-group.com

Subject to change without notice.
Some general descriptions and performance characteristics may not be applicable to all products. Technical specifications are subject to change without notice. Only features and technical data provided in purchasing contract are legally binding.

Printed in Germany