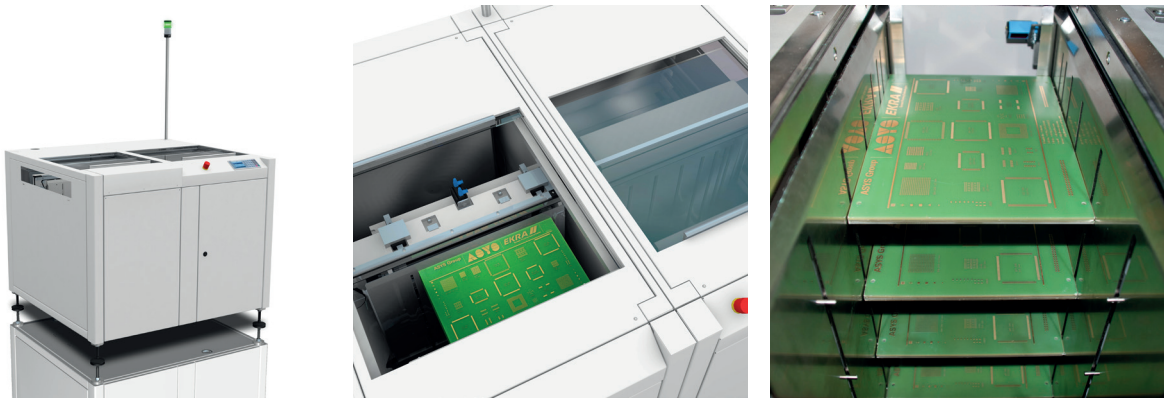


VEGO LLB 01



Description

The logistics loader LLB 01 is used to load marking stations or SMT-production lines with bare PCBs.

It combines a buffer station for PCB batches and a separator station in one unit. The system is designed for correctly sorted separation of the PCB batches according to the FIFO principle. They are stored mechanically isolated from each other until the separation process. This prevents the possibility that individual circuit boards of various charges may be mixed up.

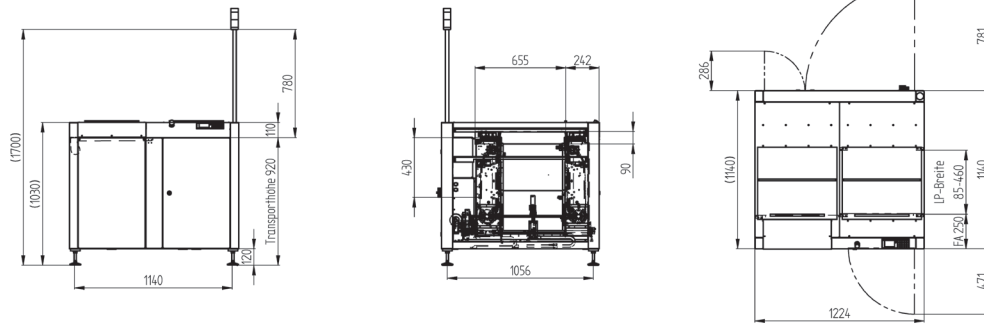
The PCB packages are manually inserted into the system and buffered. Then they are fed to the separator station. During the separation process, the stack is processed from the top down. Hence the separation process is independent from the stack weight, making it very gently for the product.

Features

- _ Processing of the batches according to the FIFO principle
- _ Capacity 8 batches á 60 mm
- _ Loading the machine without stopping production
- _ Separation with clamp mechanism
- _ Electric width adjust
- _ Colour display with graphical user interface
- _ Product parameters can be changed during running operation
- _ Product memory function
- _ 2 colour signal lamp (LED) and alarm horn
- _ Small footprint

Options

- _ Automatic width adjustment
- _ Pass-through mode
- _ Combined clamping/vacuum head
- _ Equipment for thin PCBs (<0.7mm)



VEGO LLB 01

Machine Configuration

| | |
|----------------------|----------------------|
| Transport height | 920 mm ± 50 mm |
| Max. transport width | 460 mm |
| Interface | Siemens, SMEMA |
| Transfer direction | from left to right |
| Operating side | Front of the machine |
| Fixed rail | Front of the machine |

Panel Dimensions

| | |
|-------------------------------|------------------|
| Panel length | 70 to 460 mm |
| Panel width | 85 to 460 mm |
| Panel thickness | 0.7 to 4.5 mm |
| Component clearance (by-pass) | ± 40 mm |
| Panel weight | to 3 kg |
| Max. stack height | 8 x 60 mm |
| Max. batch weight | 12 kg each batch |
| Max. weight all batches | 60 kg |
| Edge support by-pass | 3 mm |
| Edge support stack | 8 mm |

Installation Requirements

| | |
|---------------------|----------------------------------|
| Power supply | 230 V / 115 V, 50 / 60 Hz, ± 10% |
| Power supply system | L1 + N + PE |
| Power consumption | 0,5 kW |
| Air supply | 6 bar |
| Air consumption | 10 NI/min |

Machine Description

| | |
|---------------------------------------|-----------------------|
| Length x Width x Height ^{a)} | 1224 x 1140 x 1130 mm |
| Netto weight | 480 kg |
| Noise Level | < 75 dB |

Upgrades

Machine networking via IC Net

a) other dimensions on request

**ASYS
GROUP**

ASYS Automatisierungssysteme GmbH
Benzstrasse 10,
89160 Dornstadt, Germany
Tel (+49) 7348 9855 0
Fax (+49) 7348 9855 91
info@asys.de

For more information visit
www.asys-group.com

Subject to change without notice.
Some general descriptions and performance characteristics may not be applicable to all products. Technical specifications are subject to change without notice. Only features and technical data provided in purchasing contract are legally binding.

Printed in Germany