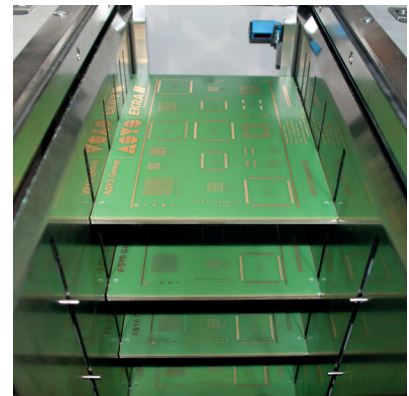
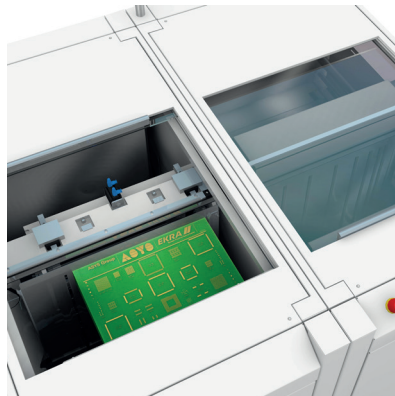


## VEGO LLE 01



### Description

The logistics unloader LLE 01 is used to unload marking stations with bare PCBs.

It combines a buffer station for PCB batches and a restacker station in one unit. The system is designed for correctly sorted stacking of the PCB batches according to the FIFO principle. The stacked PCBs are stored mechanically isolated from each other until removal. This prevents the possibility that individual circuit boards of various charges may be mixed up.

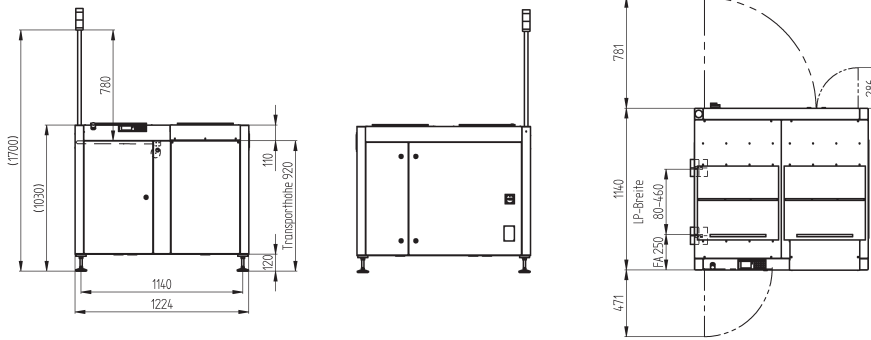
The PCB is taken over onto a conveyor and positioned. For stacking, the transport rails are retracting and the PCB falls onto the stack. After reaching the adjusted stack height, the PCB stack will be moved into the buffer. The stack is lifted up and then provided in the machine by batch for simple removal.

### Features

- \_ Processing of the batches according to the FIFO principle
- \_ Capacity 8 batches á 60 mm
- \_ Unloading the machine without stopping production
- \_ PCB alignment before stacking
- \_ stacking from the top
- \_ Electric width adjust
- \_ Colour display with graphical user interface
- \_ Product parameters can be changed during running operation
- \_ Product memory function
- \_ 2 colour signal lamp (LED) and alarm horn
- \_ Small footprint

### Options

- \_ Pass through function



## VEGO LLE 01

### Machine Configuration

Transport height	920 mm ± 50 mm
Max. transport width	460 mm
Interface	SMEMA, Siemens
Transfer direction	from left to right
Operating side	Front of the machine
Fixed rail	Front of the machine

### Panel Dimensions

Panel length	70 to 460 mm
Panel width	85 to 460 mm
Panel thickness	0.5 to 4.5 mm
Component clearance (by-pass)	± 40 mm
Panel weight	to 3 kg
Max. stack height	8 x 60 mm
Max. stack weight	12 kg each batch
Edge support by-pass	3 mm
Edge support stack	8 mm

### Installation Requirements

Power supply	230 V / 115 V, 50 / 60 Hz, ± 10%
Power supply system	L1 + N + PE
Power consumption	0,5 kW
Air supply	6 bar
Air consumption	10 NI/min

### Machine Description

Length x Width x Height <sup>a)</sup>	1226 x 1140 x 940 mm
Netto weight	450 kg
Noise Level	< 75 dB

### Upgrades

Machine networking via IC Net

a) other dimensions on request

**ASYS  
GROUP**

ASYS Automatisierungssysteme GmbH  
Benzstrasse 10,  
89160 Dornstadt, Germany  
Tel (+49) 7348 9855 0  
Fax (+49) 7348 9855 91  
info@asys.de

For more information visit  
[www.asys-group.com](http://www.asys-group.com)

Subject to change without notice.  
Some general descriptions and performance characteristics may not be applicable to all products. Technical specifications are subject to change without notice. Only features and technical data provided in purchasing contract are legally binding.

Printed in Germany