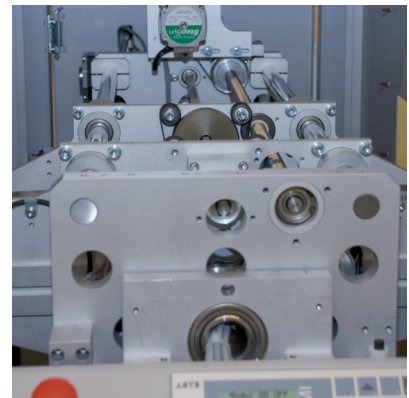
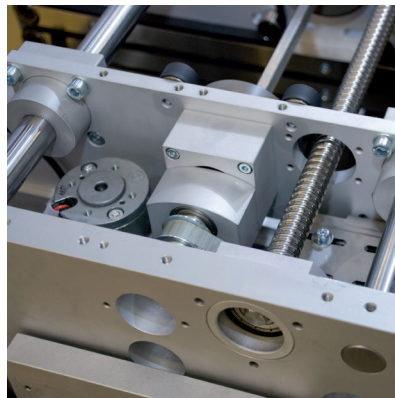


VEGO WS 01



Description

The WS01 is used to flip PCBs in production lines for backside assembly or marking.

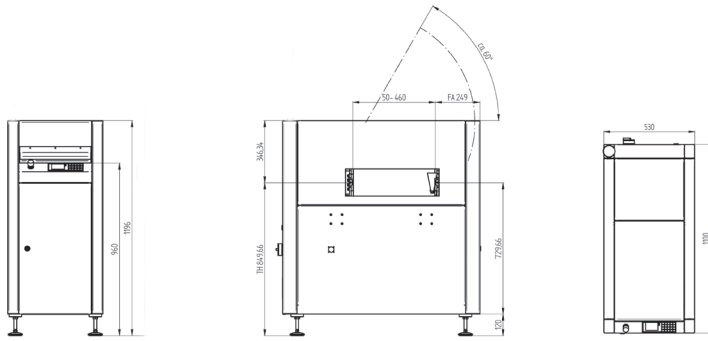
The PCB is halted with a stopper and the complete transport mechanism flips around 180° in the direction of transport. The PCB is subsequently handed over to the downstream machine.

Features

- _ Colour display with graphical user interface
- _ Product parameters can be changed during running operation
- _ Product memory function
- _ Operating modes: Pass-through, Flip
- _ Electric width adjust
- _ Servo-motor driven flip mechanism
- _ Cycle time < 8s

Options

- _ Transport height 950mm +/- 50mm
- _ Automatic width adjust
- _ Automatic pass-through/flip mode
- _ Inlet/outlet conveyor
- _ Safety shutter at the inlet and/or outlet
- _ Equipment for thin PCBs (< 0.5 mm)
- _ PCB weight up to 6kg
- _ PCB take-back function
- _ 2 colour signal lamp (LED)+ horn



VEGO WS 01

	Type 1	Type 2	Type 3
Machine Configuration			
Transport height	920 mm ± 50 mm	850 mm ± 50 mm	850 mm ± 50 mm
Max. transport width	460 mm	460 mm	560 mm
Interface	SMEMA, Siemens	SNEMA, Siemens	SNEMA, Siemens
Transfer direction	from left to right	from left to right	from left to right
Operating side	Front of the machine	Front of the machine	Front of the machine
Fixed rail	Front of the machine	Front of the machine	Front of the machine
Panel Dimensions			
Panel length	70 to 460 mm	70 to 510 mm	70 to 600 mm
Panel width	50 to 460 mm	50 to 460 mm	50 to 560 mm
Panel thickness	0,5 to 4,5 mm	0,5 to 4,5 mm	0,5 to 4,5 mm
Component clearance	± 40 mm	± 40 mm	± 40 mm
Panel weight	to 3 kg	to 3 kg	to 3 kg
Installation Requirements			
Power supply	230 V / 115 V, 50 / 60 Hz, ± 10%	230 V / 115 V, 50 / 60 Hz, ± 10%	230 V / 115 V, 50 / 60 Hz, ± 10%
Power supply system	L1 + N + PE	L1 + N + PE	L1 + N + PE
Power consumption	0,2 kW	0,2 kW	0,2 kW
Air supply	6 bar	6 bar	6 bar
Air consumption	5 NI/min	5 NI/min	5 NI/min
Machine Description			
Length x Width x Height ¹⁾	530 x 1100 x 1266 mm	600 x 1100 x 1196 mm	700 x 1200 x 1246 mm
Netto weight	220 kg	235 kg	255 kg
Noise Level	< 75 dB	< 75 dB	< 75 dB

Upgrades

Machine networking via IC Net

1) other dimensions on request

**ASYS
GROUP**

ASYS Automatisierungssysteme GmbH
Benzstrasse 10,
89160 Dornstadt, Germany
Tel (+49) 7348 9855 0
Fax (+49) 7348 9855 91
info@asys.de

For more information visit
www.asys-group.com

Subject to change without notice.
Some general descriptions and performance characteristics may not be applicable to all products. Technical specifications are subject to change without notice. Only features and technical data provided in purchasing contract are legally binding.

Printed in Germany