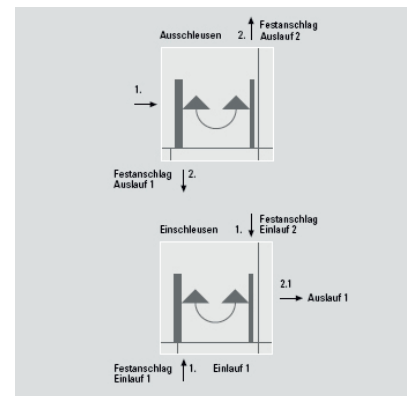
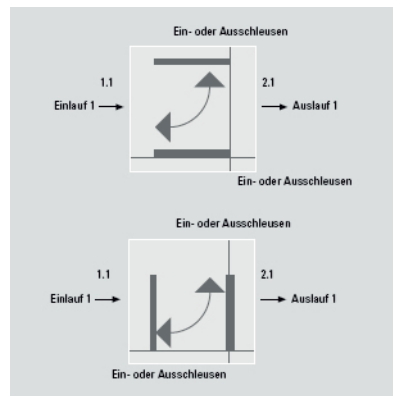


**VEGO Series – A New Generation of Handling Modules**

Transfer unit used to connect corners or crossings

**VEGO Dynamic**

# VEGO AEM 02


**Description**

The AEM 02 is used for changing the direction in production lines. Subsequently, it can also be used to split or combine lines. The integrated rotating and linear drive means that the system provides you with great flexibility. The machine is based on a stable steel tubing system which can support up to 4 additional inlet/outlet conveyors.

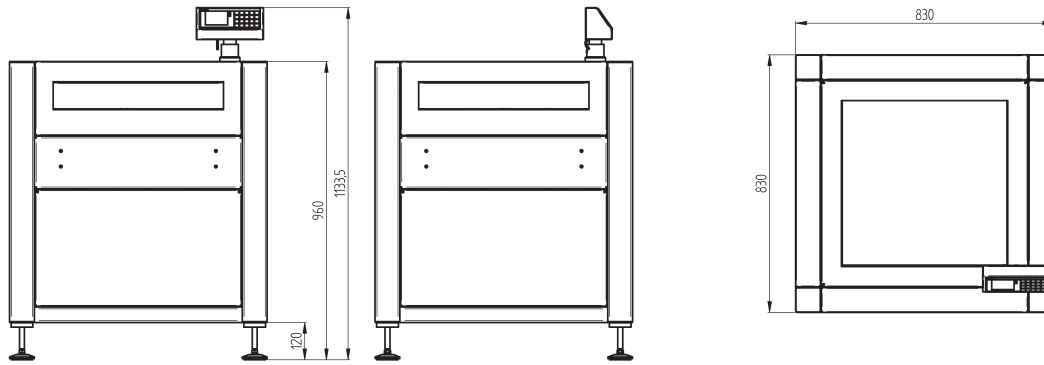
The assembly is taken over onto the inlet conveyor and depending on the selected operating mode, is either turned or transported in a straight line through the machine to the corresponding downstream system.

**Features**

- \_ Colour display with graphical user interface
- \_ Product parameters can be changed during running operation
- \_ Product memory function
- \_ Symmetrical system design
  - Individual configuration of the inlets and outlets
- \_ Operating modes:
  - Feed-in
  - Feed-out
  - Pass-through
  - Pass-through/Feed-out
  - Pass-through/Feed-in

**Options**

- \_ Transport height 950mm +/- 50mm
- \_ Electric width adjust
- \_ Automatic width adjust
- \_ Loading lift for magazines
- \_ Inlet/outlet conveyor
- \_ Sorting function (Good/Bad, Top/Bottom)
- \_ Safety shutter at inlet and/or outlet
- \_ 2 colour signal lamp (LED)
- \_ Inspection function
- \_ Speed regulation for oven transfer
- \_ +/- 90° mode



## VEGO AEM 02

### Type 1

#### Machine Configuration

Transport height	850 mm ± 50 mm
Max. transport width	<b>460 mm</b>
Interface	SMEMA, Siemens
Transfer direction	from left to right
Operating side	Front of the machine
Fixed rail	Front of the machine

#### Panel Dimensions

Panel length	70 to 460 mm
Panel width	50 to 460 mm
Panel thickness	0.8 to 4.5 mm
Component clearance	± 40 mm
Panel weight	to 3 kg

#### Installation Requirements

Power supply	230 V / 115 V, 50 / 60 Hz, ± 10%
Power supply system	L1 + N + PE
Power consumption	0,2 kW
Air supply	6 bar
Air consumption	10 NI/min

#### Machine Description

Length x Width x Height	830 x 830 x 985 mm
Netto weight	200 kg
Noise Level	< 75 dB

#### Upgrades

Machine networking via IC Net