

## VEGO BFS 01



### Description

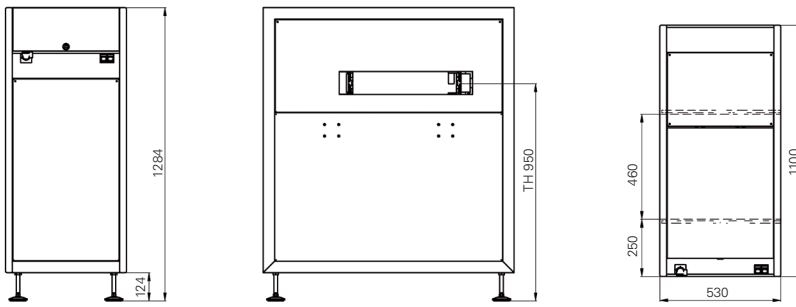
The Flip Station is used in SMD production lines to invert PCBs 180°. This flip function will change the leading and trailing edge. The incoming PCB is halted by a stopper on the conveyor system and flipped over by a rotating mechanism. After completion of the process the PCB is offloaded to the downstream system. The powder coated steel frame ensures process stability and excellent durability.

### Features

- \_ 180° Flip function
- \_ Pass through mode
- \_ Start / Stop push button
- \_ Anti-static conveyor belts
- \_ SMEMA Interface

### Options

- \_ Transport height 850 mm ± 50 mm
- \_ Electrical width adjustment
- \_ Inlet conveyor 530 mm <sup>b)</sup>
- \_ Outlet conveyor 530 mm <sup>b)</sup>



## VEGO BFS 01

### Machine Configuration

Transport height	950 mm ± 50 mm
Max. transport width	<b>460 mm</b>
Interface	SMEMA
Transfer direction	from left to right
Operating side	Front of the machine
Fixed rail	Front of the machine

The adjacent upstream and downstream modules must have screwed-on covers.

### Panel Dimensions

Panel length	70 to 460 mm
Panel width	50 to 460 mm
Panel thickness	0.8 to 4.5 mm
Component clearance	± 40 mm
Panel weight	to 3 kg

### Installation Requirements

Power supply	230 V / 115 V, 50 / 60 Hz, ± 10%
Power supply system	L1 + N + PE
Power consumption	0,1 kW
Air supply	6 bar
Air consumption	5 NI/min

### Machine Description

Length x Width x Height	530 x 1100 x 1284 mm
Netto weight	160 kg
Noise Level	< 75 dB

### Upgrades

Control panel T70  
 Additional interface protocol  
 Automatic width adjustment <sup>a)</sup>  
 Machine networking via IC Net

a) only with control panel T70

b) The conveyors must have screwed-on covers

**ASYS  
GROUP**

**ASYS Automatisierungssysteme GmbH**  
 Benzstrasse 10,  
 89160 Dornstadt, Germany  
 Tel (+49) 7348 9855 0  
 Fax (+49) 7348 9855 91  
 info@asys.de

For more information visit  
[www.asys-group.com](http://www.asys-group.com)

Subject to change without notice.  
 Some general descriptions and performance characteristics may not be applicable to all products. Technical specifications are subject to change without notice. Only features and technical data provided in purchasing contract are legally binding.

Printed in Germany