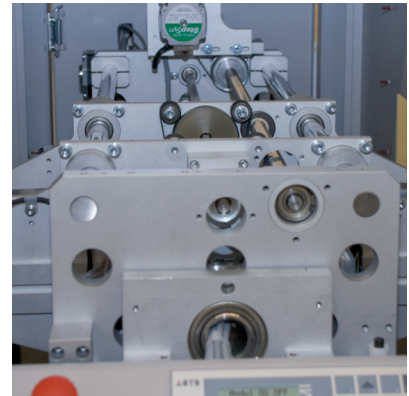
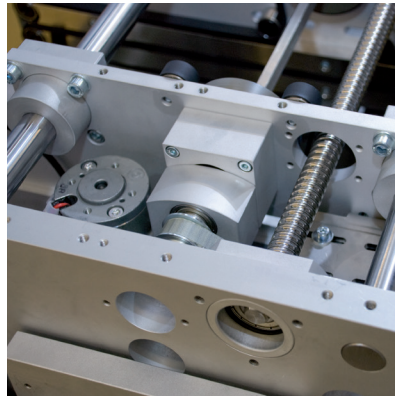
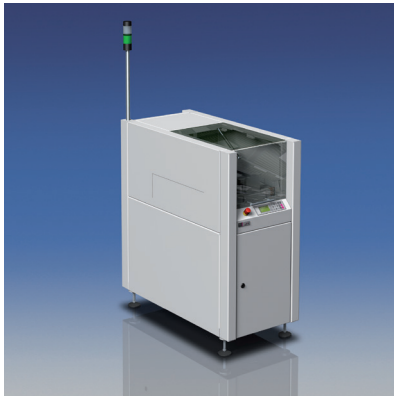


VEGO WS 01



Description

The WS01 is used to flip PCBs in production lines for backside assembly or marking.

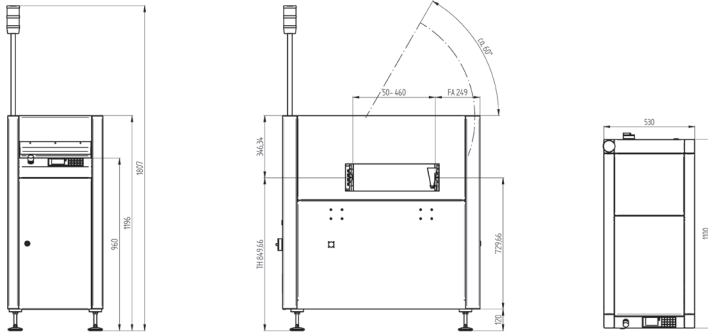
The PCB are halted with a stopper and the complete transport mechanism flips around 180° in the direction of transport. The PCB is subsequently handed over to the downstream machine.

Features

- _ Colour display with graphical user interface
- _ Product parameters can be changed during running operation
- _ Product memory function
- _ Operating modes: Pass-through, Flip
- _ Electric width adjust
- _ Servo-motor driven flip mechanism
- _ Cycle time < 8s
- _ 2 colour signal lamp (LED) and alarm horn

Options

- _ Transport height 950mm +/- 50mm
- _ Automatic width adjust
- _ Automatic pass-through/flip mode
- _ Inlet/outlet conveyor
- _ Safety shutter at the inlet and/or outlet
- _ Equipment for thin PCBs (< 0.7mm)
- _ PCB weight up to 6kg
- _ PCB take-back function



VEGOWS 01

Type 1

Machine Configuration

Transport height	850 mm ± 50 mm
Max. transport width	460 mm
Interface	SMEMA, Siemens
Transfer direction	from left to right
Operating side	Front of the machine
Fixed rail	Front of the machine

Panel Dimensions

Panel length	70 to 460 mm
Panel width	50 to 460 mm
Panel thickness	0.8 to 4.5 mm
Component clearance	± 40 mm
Panel weight	to 3 kg

Installation Requirements

Power supply	230 V / 115 V, 50 / 60 Hz, ± 10%
Power supply system	L1 + N + PE
Power consumption	0,2 kW
Air supply	6 bar
Air consumption	5 NI/min

Machine Description

Length x Width x Height ¹⁾	530 x 1085 x 1180 mm
Netto weight	200 kg
Noise Level	< 75 dB

Upgrades

Machine networking via IC Net

1) other dimensions on request

**ASYS
GROUP**

ASYS Automatisierungssysteme GmbH
Benzstrasse 10,
89160 Dornstadt, Germany
Tel (+49) 7348 9855 0
Fax (+49) 7348 9855 91
info@asys.de

For more information visit
www.asys-group.com

Subject to change without notice.
Some general descriptions and performance characteristics may not be applicable to all products. Technical specifications are subject to change without notice. Only features and technical data provided in purchasing contract are legally binding.

Printed in Germany