

VEGO BBS 20



Description

The BBS 20 buffer station consists of multiple closed conveyor segments built on top of each other for intermediate storage of up to 20 PCBs for subsequent handover to the downstream system.

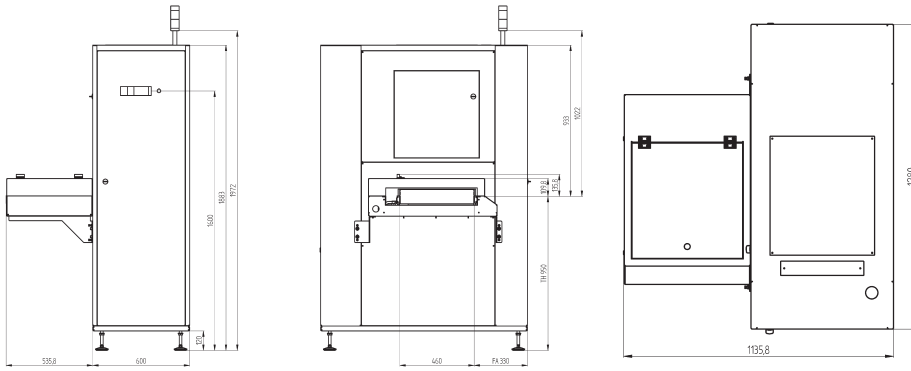
Arriving PCBs are taken over onto the buffer segment and positioned. If required, the PCBs can be buffered and automatically handed over to the downstream machine using the FIFO principle. It can be used to store PCBs after an oven, a pick-and-place or inspection (AOI) system for compensation of process-related downtimes. The BBS 20 functions according to the FIFO (First In / First Out) principle. The design of the buffer means that it can easily process PCBs with cut-outs.

Features

- _ LCD control panel
- _ Product memory function
- _ Operating modes:
 - FIFO
 - Pass-through
- _ Cycle time < 25s at FIFO
- _ Light tower, single stage with buzzer
- _ Anti-static conveyor belts
- _ SMEMA Interface

Options

- _ Transport height 850 mm \pm 50 mm
- _ Electrical width adjustment
- _ Automatic width adjustment
- _ LIFO mode
- _ Inlet/outlet conveyor with cover
- _ Safety shutter at inlet and/or outlet
- _ Cooling function with fans
- _ Error loop
- _ Good / Bad- sorting function



VEGO BBS 20

Machine Configuration

Transport height	950 mm ± 50 mm
Max. transport width	460 mm
Interface	SMEMA
Transfer direction	from left to right
Operating side	Front of the machine
Fixed rail	Front of the machine

Buffer Description

Buffer spacing	25 mm
Buffer capacity	20 Slots

Panel Dimensions

Panel length	70 to 460 mm
Panel width	50 to 460 mm
Panel thickness	0.5 to 3 mm
Component clearance	± 40 mm
Panel weight	to 2 kg
Total weight	max. 20 kg

Installation Requirements

Power supply	230 V / 115 V, 50 / 60 Hz, ± 10%
Power supply system	L1 + N + PE
Power consumption	0,5 kW
Air supply	6 bar
Air consumption	10 NI/min

Machine Description

Length x Width x Height	1206 x 1280 x 1883 mm
Netto weight	< 300 kg
Noise Level	< 75 dB

Upgrades

Machine networking via IC Net